

**CROWN**

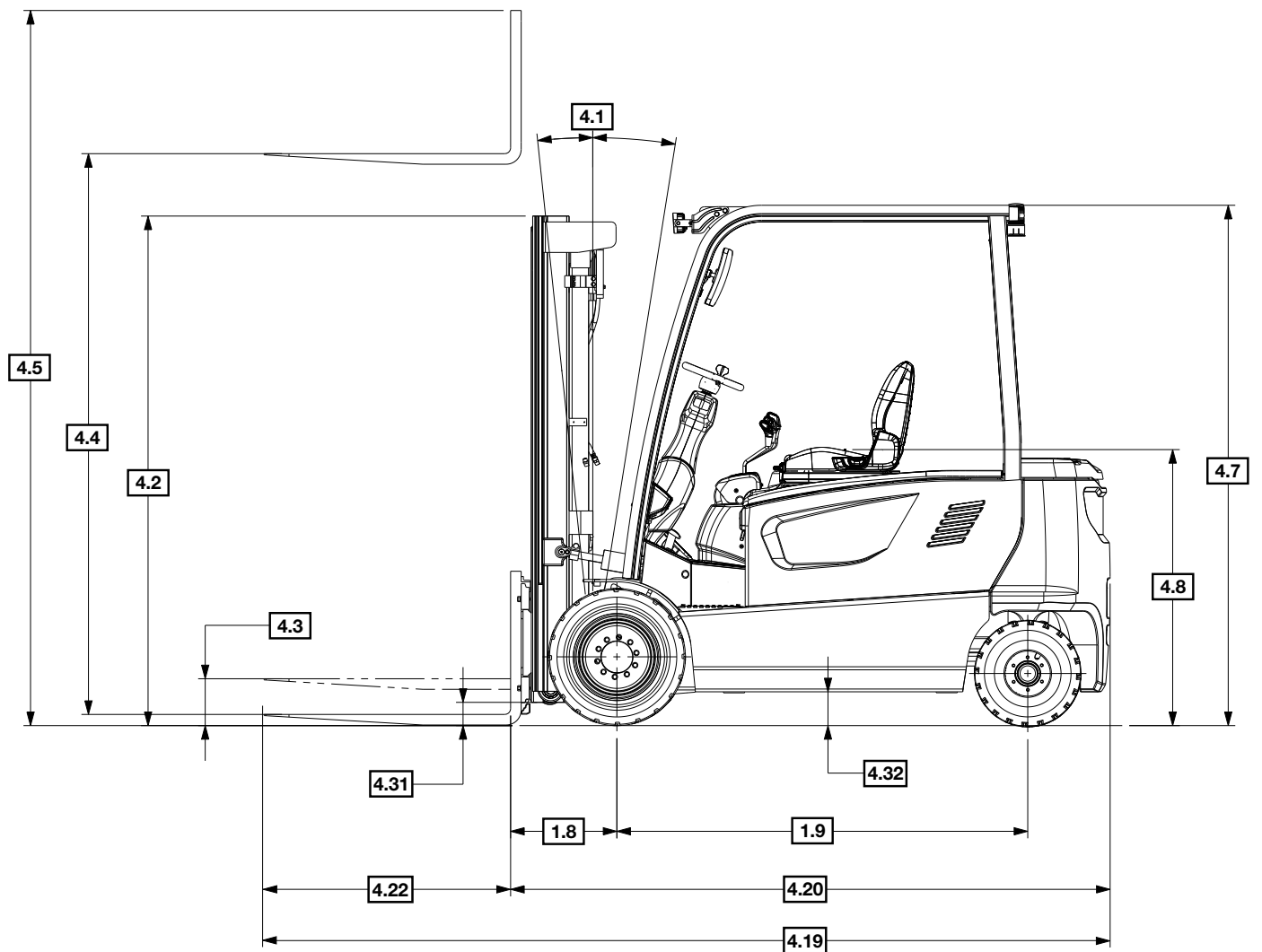
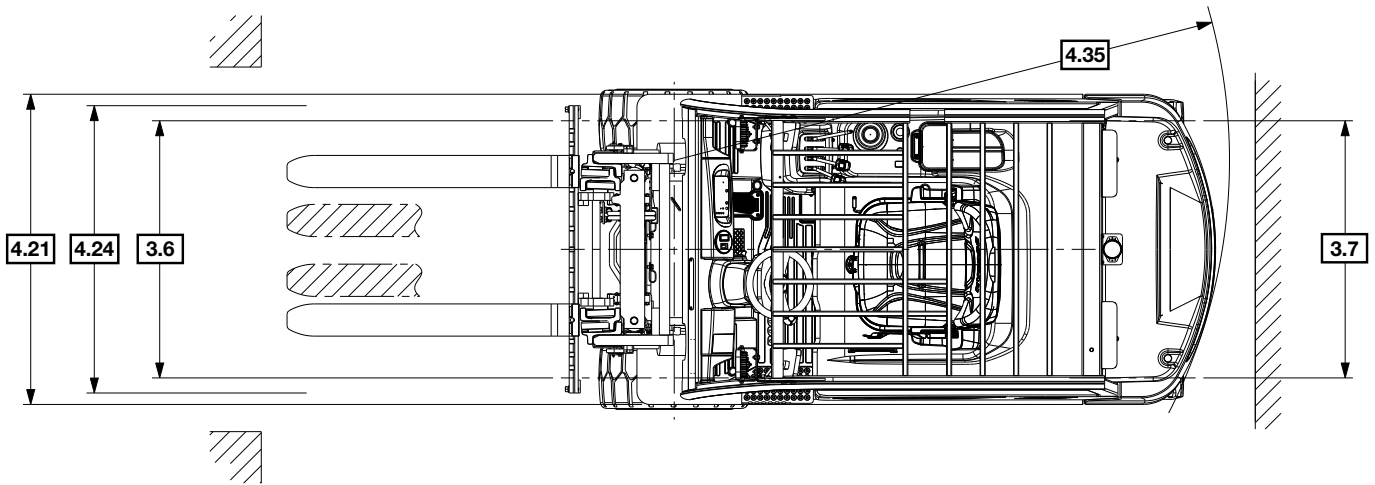
**C-B**

**5,000-7,000 lb Capacity**

Electric Pneumatic Tire

**Specifications**





**C-B 25-35 Series**

**Specifications**

				<i>Imperial</i>	<i>Metric</i>	<i>Imperial</i>	<i>Metric</i>			
<b>General</b>	1.2	<b>Model</b>		<b>CB25X-7</b>		<b>CB30X-7</b>				
	1.3	<b>Power Type</b>		Electric						
	1.4	<b>Operator Type</b>		Sit-down Rider Counterbalance						
	1.5	<b>Load Capacity</b>	Rated Load	lb	kg	5,000	2268	6,000	2722	
	1.6	<b>Load Center Distance</b>	Fork Face to Load Center of Gravity	in	mm	24	600	24	600	
	1.8	<b>Load Distance</b>	Center of Drive Axle to Fork Face	in	mm	17.6	448	17.9	454	
1.9	<b>Wheelbase</b>		in	mm	62.6	1589	68.3	1734		
<b>Weights</b>	2.1	<b>Service Weight</b>	w/Minimum Battery Weight	lb	kg	10,192	4623	11,173	5068	
	2.2	<b>Axle Loading, Loaded</b>	Front/Rear	lb	kg	13,834/1,870	6275/848	15,867/1,917	7197/870	
	2.3	<b>Axle Loading, Unloaded</b>	Front/Rear	lb	kg	5,035/5,157	2284/2339	5,615/5,558	2547/2521	
<b>Tires</b>	3.1	<b>Tires</b>	Pneumatic (P), Superelastic (SE)		P, SE					
	3.2	<b>Tire Size, Front</b>	Front		23x10-12					
	3.3	<b>Tire Size, Rear</b>	Rear		18x7-8					
	3.5	<b>Wheels</b>	Number Front/Rear, x=Drive Wheels		2/2x					
	3.6	<b>Tread Width</b>	Front	in	mm	39.3	998	39.3	998	
	3.7		Rear	in	mm	39.3	998	39.3	998	
	<b>Dimensions</b>	4.1	<b>Mast</b>	Tilt, Forward/Backward		deg	See Mast Charts			
4.2		Collapsed Height		in	mm					
4.3		Free Lift		in	mm					
4.4		Lift Height		in	mm					
4.4.1		Fork Height, Maximum		in	mm					
4.5		Extended		in	mm					
4.7		<b>Overhead Guard Height</b>	in	mm	86	2185	87	2210		
4.8		<b>Seat Height</b>	in	mm	42.1	1070	42.1	1070		
4.19		<b>Overall Length</b>	in	mm	133.1	3381	139	3351		
4.20		<b>Headlength</b>	Length to Fork Face	in	mm	91.7	2329	97.6	2480	
4.21		<b>Overall Width</b>	in	mm	49	1245	49	1245		
4.22		<b>Fork Dimensions</b>	Thickness x Width x Length	in	mm	1.6x3.9x41.3	40x100x1050	1.8x4.9x41.3	45x125x1050	
4.23		<b>Carriage</b>	ISO 2328 Class	Type		Class II		Class III		
4.24			Width	in	mm	-	-	-	-	
4.31		<b>Ground Clearance</b>	w/Load, Below Mast	in	mm	5.1	130	5.1	130	
4.32	Center of Wheelbase		in	mm	5.5	140	5.5	140		
4.34.1	<b>Aisle Width (Right Angle Stack)</b>	Add Load Length and Clearance	in	mm	Contact Factory					
4.35	<b>Outer Turning Radius</b>	in	mm	76.8	1950	82.5	2095			
<b>Performance</b>	5.1	<b>Travel Speed</b>	Loaded/Unloaded	mph	km/h	9.9/11.2	16/18	9.9/11.2	16/18	
	5.2	<b>Lift Speed</b>	Loaded/Unloaded	fpm	mm/s	94.8/118.2	480/600	82.8/118.2	420/600	
	5.3	<b>Lowering Speed</b>	Loaded/Unloaded	fpm	mm/s	96.6/90.6	490/460	96.6/90.6	490/460	
	5.6	<b>Max. Drawbar Pull</b>	Loaded/Unloaded (5-minute Rating)	lb	(N)	3,898/3,693	17339/16427	3,898/3,693	17339/16427	
	5.8	<b>Max. Gradeability</b>	Loaded/Unloaded (5-minute Rating)	% (deg)		25/38		22/34		
	5.10	<b>Brake</b>	Service	Type		ELECTRIC				
	Parking		Type		AUTO-ELECTRIC					
<b>Electric</b>	6.1	<b>Traction Motor</b>	60-minute Rating	hp	(kW)	13 / (10) x 2				
	6.2	<b>Pump Motor</b>	15% ON time	hp	(kW)	28 / (21) x 2				
	6.3	<b>Battery</b>	According to DIN 43531/35/36 A/B/C		DIN 43536 A		DIN 43536 A			
	6.4		Voltage, 5hr Rate	V/Ah/kwh		80/620/49.6				
	6.5		Minimum Weight	lb	kg	3,439	1560	4,127	1872	
6.6	Compartment, Length x Width x Height		in	mm	28.3x40.5x29.8	720x1028x758	34.0x40.5x29.8	865x1028x758		
<b>Other</b>	8.1	<b>Drive Control Unit</b>	Type		MOSFET Inverter					
	8.2	<b>Working Oil Pressure</b>	System	psi	(bar)	2,799.20	193	3,002.30	207	
			Attachment	psi	(bar)	2,248.10	155	2,248.10	155	
8.4	<b>Sound Level at Driver's Ear</b>	Per EN 12053	dB/(A)		70					

**C-B 25-35 Series**

**Specifications**

				<i>Imperial</i>	<i>Metric</i>	
<b>General</b>	1.2	<b>Model</b>		<b>CB35X-7</b>		
	1.3	<b>Power Type</b>		Electric		
	1.4	<b>Operator Type</b>		Sit-down Rider Counterbalance		
	1.5	<b>Load Capacity</b>	Rated Load	lb kg	7,000	3175
	1.6	<b>Load Center Distance</b>	Fork Face to Load Center of Gravity	in mm	24	600
	1.8	<b>Load Distance</b>	Center of Drive Axle to Fork Face	in mm	17.9	454
	1.9	<b>Wheelbase</b>		in mm	68.9	1750
<b>Weights</b>	2.1	<b>Service Weight</b>	w/Minimum Battery Weight	lb kg	12,095	5486
	2.2	<b>Axle Loading, Loaded</b>	Front/Rear	lb kg	17,505/2,306	7940/1046
	2.3	<b>Axle Loading, Unloaded</b>	Front/Rear	lb kg	5,582/6,512	2532/2954
<b>Tires</b>	3.1	<b>Tires</b>	Pneumatic (P), Superelastic (SE)		P, SE	
	3.2	<b>Tire Size, Front</b>	Front		23x10-12	
	3.3	<b>Tire Size, Rear</b>	Rear		18x7-8	
	3.5	<b>Wheels</b>	Number Front/Rear, x=Drive Wheels		2/2x	
	3.6	<b>Tread Width</b>	Front	in mm	39.3	998
	3.7		Rear	in mm	39.3	998
	<b>Dimensions</b>	4.1	<b>Mast</b>	Tilt, Forward/Backward	deg	See Mast Charts
4.2		Collapsed Height		in mm		
4.3		Free Lift		in mm		
4.4		Lift Height		in mm		
4.4.1		Fork Height, Maximum		in mm		
4.5		Extended		in mm		
4.7		<b>Overhead Guard Height</b>		in mm	87	2210
4.8		<b>Seat Height</b>		in mm	42.1	1070
4.19		<b>Overall Length</b>		in mm	142.4	3617
4.20		<b>Headlength</b>	Length to Fork Face	in mm	101	2654
4.21		<b>Overall Width</b>		in mm	49	1245
4.22		<b>Fork Dimensions</b>	Thickness x Width x Length	in mm	1.8x4.9x41.3	45x125x1050
4.23		<b>Carriage</b>	ISO 2328 Class	Type	Class III	
4.24			Width	in mm	-	-
4.31		<b>Ground Clearance</b>	w/Load, Below Mast	in mm	5.1	130
4.32	Center of Wheelbase		in mm	5.5	140	
4.34.1	<b>Aisle Width (Right Angle Stack)</b>	Add Load Length and Clearance	in mm	Contact Factory		
4.35	<b>Outer Turning Radius</b>		in mm	84.8	2155	
<b>Performance</b>	5.1	<b>Travel Speed</b>	Loaded/Unloaded	mph km/h	9.9/11.2	16/18
	5.2	<b>Lift Speed</b>	Loaded/Unloaded	fpm mm/s	75.0/118.2	380/600
	5.3	<b>Lowering Speed</b>	Loaded/Unloaded	fpm mm/s	98.4/90.6	500/460
	5.6	<b>Max. Drawbar Pull</b>	Loaded/Unloaded (5-minute Rating)	lb (N)	3,898/3,693	17339/16427
	5.8	<b>Max. Gradeability</b>	Loaded/Unloaded (5-minute Rating)	% (deg)	20/31	
	5.10	<b>Brake</b>	Service	Type	ELECTRIC	
			Parking	Type	AUTO-ELECTRIC	
<b>Electric</b>	6.1	<b>Traction Motor</b>	60-minute Rating	hp (kW)	13 / (10) x 2	
	6.2	<b>Pump Motor</b>	15% ON time	hp (kW)	28 / (21) x 2	
	6.3	<b>Battery</b>	According to DIN 43531/35/36 A/B/C		DIN 43536 A	
	6.4		Voltage, 5hr Rate	V/Ah/kwh	80/775/62	
	6.5		Minimum Weight	lb kg	4,127	1872
	6.6		Compartment, Length x Width x Height	in mm	34.0x40.5x29.8	865x1028x758
<b>Other</b>	8.1	<b>Drive Control Unit</b>		Type	MOSFET Inverter	
	8.2	<b>Working Oil Pressure</b>	System	psi(bar)	3408.4	235
			Attachment	psi(bar)	2,248.10	155
	8.4	<b>Sound Level at Driver's Ear</b>	Per EN 12053	dB/(A)	70	

**Mast Chart CB25X-7**

Mast Type	Maximum Fork Height		Mast Collapsed Height		Mast Extended Height with load backrest		Mast Free-Lift Height with load backrest		Tilt Angle			
									Single Pneumatic		Single Solid Pneumatic	
									FWD	BWD	FWD	BWD
	in	mm	in	mm	in	mm	in	mm	deg	deg	lb	kg
TL	116	2950	79	2020	165	4200	6	147	6	9	6	9
	127	3230	84	2160	176	4480	6	147	6	9	6	9
	138	3500	94	2410	187	4755	6	147	6	9	6	9
	150	3800	100	2560	199	5055	6	147	6	9	6	9
	156	3950	103	2635	205	5205	6	147	6	9	6	9
	171	4350	111	2835	221	5605	6	147	6	9	6	9
	195	4960	123	3135	244	6205	6	147	6	9	6	9
TF	116	2950	79	2020	165	4200	32	815	6	9	6	9
	127	3230	84	2160	176	4480	38	955	6	9	6	9
	142	3600	94	2410	191	4855	47	1205	6	9	6	9
TT	154	3900	73	1860	203	5155	26	655	6	9	6	9
	169	4290	79	1995	219	5560	31	790	6	9	6	9
	186	4730	85	2135	235	5980	37	930	6	9	6	9
	189	4805	86	2160	238	6055	38	955	6	9	6	9
	219	5560	98	2485	268	6805	50	1280	6	5	6	9
QUAD	240	6100	84	2133	Contact Factory				6	5	6	9
	261	6640	92	2336					6	5	6	5
	276	7035	95	2413					6	5	6	5

**Mast Chart CB30X-7**

Mast Type	Maximum Fork Height		Mast Collapsed Height		Mast Extended Height with load backrest		Mast Free-Lift Height with load backrest		Tilt Angle			
									Single Pneumatic		Single Solid Pneumatic	
									FWD	BWD	FWD	BWD
	in	mm	in	mm	in	mm	in	mm	deg	deg	lb	kg
TL	116	2950	79	2020	165	4200	6	152	6	9	6	9
	127	3230	84	2160	176	4480	6	152	6	9	6	9
	138	3500	94	2410	187	4755	6	152	6	9	6	9
	150	3800	100	2560	199	5055	6	152	6	9	6	9
	156	3950	103	2635	205	5205	6	152	6	9	6	9
	171	4350	111	2835	221	5605	6	152	6	9	6	9
	195	4960	123	3135	244	6205	6	152	6	5	6	5
TF	116	2950	79	2020	165	4200	32	820	6	9	6	9
	127	3230	84	2160	176	4480	38	960	6	9	6	9
	142	3600	94	2410	191	4855	48	1210	6	9	6	9
TT	154	3900	73	1885	203	5155	27	685	6	9	6	9
	169	4290	80	2020	219	5560	32	820	6	9	6	9
	186	4730	85	2160	235	5980	38	960	6	9	6	9
	189	4805	86	2185	238	6055	39	985	6	9	6	9
	219	5560	98	2510	268	6805	52	1310	6	5	6	9
237	6010	105	2660	286	7255	57	1460	6	5	6	5	

Specification values quoted in this catalog have been rounded.  
 Products and specifications are subject to improvement and change without notice.  
 Performance may vary due to operating conditions.  
 The performance shown represents nominal values obtained under typical operating conditions.

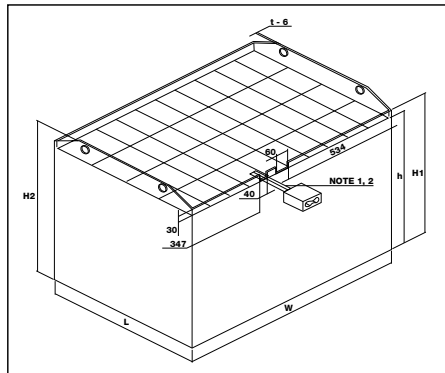
**Mast Chart CB35X-7**

Mast Type	Maximum Fork Height		Mast Collapsed Height		Mast Extended Height with load backrest		Mast Free-Lift Height with load backrest		Tilt Angle			
									Single Pneumatic		Single Solid Pneumatic	
									FWD	BWD	FWD	BWD
	in	mm	in	mm	in	mm	in	mm	deg	deg	lb	kg
TL	107	2720	79	2020	156	3970	6	152	6	9	6	9
	118	3000	84	2160	167	4250	6	152	6	9	6	9
	137	3495	94	2140	187	4750	6	152	6	9	6	9
	144	3655	100	2560	193	4905	6	152	6	9	6	9
	150	3805	103	2635	199	5055	6	152	6	9	6	9
	189	4805	123	3135	238	6055	6	152	6	5	6	9
TF	107	2720	79	2020	156	3970	32	820	6	5	6	9
	118	3000	84	2160	167	4250	38	960	6	5	6	9
	137	3495	94	2410	187	4745	48	1210	6	5	6	9
TT	140	3555	74	1885	189	4805	27	685	6	9	6	9
	156	3960	79	2020	205	5210	32	820	6	9	6	9
	172	4380	85	2160	222	5630	38	960	6	9	6	9
	190	4820	92	2330	239	6070	39	985	6	5	6	9
	205	5205	99	2510	254	6455	52	1310	6	5	6	9
	222	5655	105	2660	272	6905	57	1460	6	5	6	5

Specification values quoted in this catalog have been rounded.  
 Products and specifications are subject to improvement and change without notice.  
 Performance may vary due to operating conditions.  
 The performance shown represents nominal values obtained under typical operating conditions.

**Recommended Battery Size and Battery Minimum Weight**

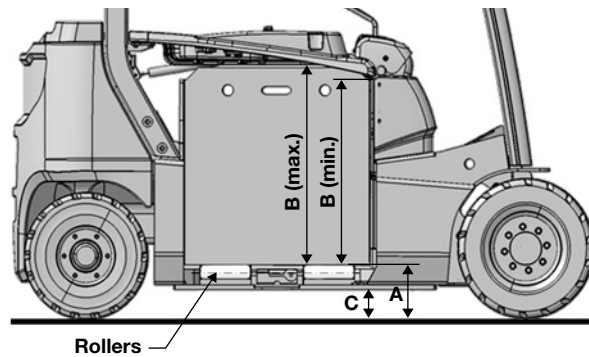
	<b>Voltage</b>	<b>Capacity / Discharge Rate</b>		<b>(L) Length Max</b>		<b>(W) Width Max</b>		<b>(H, H1, H2) Height Max</b>		<b>Minimum Weight</b>	
	Volts	Amp-hrs / hr-rate	kw-hrs / hr-rate	in	mm	in	mm	in	mm	lb	kg
<b>CB25X-7</b>	80	620 / 5	49.6 / 5	27.99	711	40.47	1028	27.44 / 27.95 / 29.29	697 / 710 / 744	3439	1560
<b>CB30/35X-7</b>	80	775 / 5	62 / 5	33.66	855	40.47	1028	27.44 / 27.95 / 29.29	697 / 710 / 744	4127	1872



Note:

1. Recommended Cable Length : 400mm For B22/25x-7, 500mm For B30/35x-7 And B25xl-7
2. Recommended Cable Size : 2/0 Ga(60 Mm2)
3. Battery Connector (Bs Type) : Sbe 320 (Should Conform To Vehicle Connector)
4. Battery Connector (Din Type) : Din320 (Should Confirm To Vehicle Connector)

Battery Compartment Height: Lowest Point In Front Of Hood (Top Of Battery Hold Block) = 758 mm



**Side Roll In-Out (SRIO)**

	<b>Battery Side Roll In-Out (SRIO)</b>				<b>Ground Clearance</b>	
	<b>A</b>		<b>B (min / max)</b>		<b>C</b>	
	in	mm	in	mm	in	mm
<b>CB25X-7</b>	7.7	196	28.7 / 30.6	729 / 778	4.1	103
<b>CB30/35X-7</b>	7.7	196	28.7 / 30.7	730 / 778	4.1	103

A: SRIO: Ground – Battery roller top height (at center of wheelbase)

B: Battery compartment height (max. / min.)

max. SRIO: Hood bottom ~ Battery roller top height

min. SRIO: Lowest point in front of hood ~ Battery roller top height

C: Ground Clearance

**Standard Features\***

1. 80 V electrical system
2. AC motor and hydraulic systems
3. Electric foot brake system
4. Emergency switch
5. Manual lever controls
6. Intuitive instrument panel
  - LCD screen
  - Brake oil level indicator
  - Selectable operation mode (E/S/H)
  - Turtle mode
  - Steering angle
7. Unlimited ramp hold
8. Speed reduction in turns
9. Weight indicator (hydraulic pressure sensing)
10. Low battery alarm
11. Operator Presence Sensor
12. Sound suppression
13. Operator design features
  - Entry handle
  - Wide spacious floorboard
  - Adjustable steer column
  - Suspension seat, vinyl
  - Clear-view overhead guard and mast design
  - USB port in armrest
  - 12 V electrical outlet
  - Cup holder
14. SBE battery connector
15. IP65 rated controllers
16. IP54 rated motors
17. Solid pneumatic tires

**Optional Equipment**

1. TL,TF and TT Mast
2. Additional operator design features
  - Fingertip controls with integrated directional control switch
  - Foot-operated directional control panel
  - Premium suspension seat, vinyl or fabric
  - Rear handle
  - Various mirrors
  - Smart zone speed control
  - Tilt Position Assist
3. Lights
  - LED Front worklights with turn signals
  - LED Rear worklights
4. Audible warning devices
  - Back-up alarm
5. Visual warning devices
  - Flashing light
  - Floor spot light (blue light)
  - Floorline light
6. Hard Cab
  - incl. heater
7. Cooling fan
8. Attachments
  - Hang-on sideshifter
  - Fork positioner with integrated sideshifter
9. Tire options
  - Non-marking solid pneumatic
  - Air-filled pneumatic

10. Load backrest
11. Freezer conditioning
12. Battery rollers
13. Belly pan
14. Tilt cylinder bellows
15. Quick disconnect hydraulics
16. Tool kit
17. InfoLink ready
18. Directional control on lever
19. UL EE rating
20. Battery roller (SRIO)

**Warning Device Options**

Audible or Visual Alerts

Safety considerations and dangers associated with audible travel alarms and lights include:

- Multiple alarms and/or lights can cause confusion.
- Workers ignore the alarms and/or lights after day-in and day-out exposure.
- Operator may transfer the responsibility for “looking out” to the pedestrians.
- Annoys operators and pedestrians.

**Other Options Available**

Contact factory for additional options.

*Dimensions and performance data given may vary due to manufacturing tolerances. Performance is based on an average size vehicle and is affected by weight, condition of truck, how it is equipped and the conditions of the operating area. Crown products and specifications are subject to change without notice.*

\*Standard features may vary based on mast type



**crown.com**

**You can count on Crown to sell lift trucks designed for safe operation, but that's only part of the safety equation. Crown encourages safe operating practices through ongoing operator training, safety-focused supervision, maintenance and a safe working environment. Go to [crown.com](http://crown.com) and view our safety section to learn more.**

Because Crown is continually improving its products, specifications are subject to change without notice.

Notice: Not all products and product features are available in all countries in which this literature is published.

Crown, the Crown logo, the color beige, the Momentum symbol, and InfoLink are trademarks of Crown Equipment Corporation in the United States and other countries.

Copyright 2024 Crown Equipment Corporation  
SF21058 08-24  
Printed in U.S.A.